



QH.F

HANGERS For GYPSUM BOARDS CEILINGS

Description

QH.F consist of a specially design galvanized metal suspension hanger, which has grapping edges for QUICK AND EASY connection with the standard ceiling profiles with dimensions 60x27 mm (for false ceilings) according to DIN 18182-1.

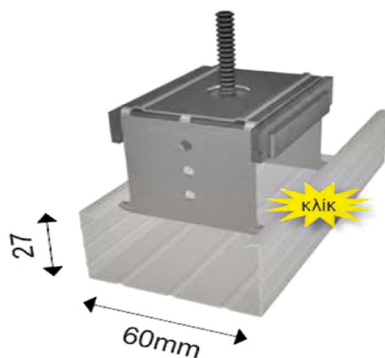
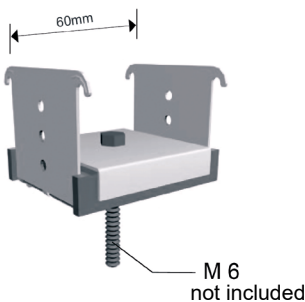
Therefore, the labour cost decreases and it also facilitates the work of the installer. The elastic element of the QH.F hanger is have a high quality polyurethane vibration isolation foam Regufoam®.

It is available in 2 different thicknesses of its elastic pad:

- 12mm (economic solution)
- 25mm (better vibration control)

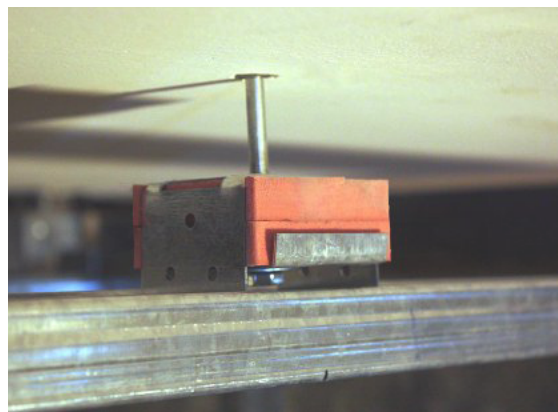
Applications

QH.F can be used as hangers for suspension of floating false ceiling with gypmboard, antivibration suspension of machinery (ventilators, air conditioning e.t.c.), antivibration suspension of pipes, air – ducts etc.



Selection Table

TYPE (Thickness)	MAXIMUM LOAD (daN)
QH.F 20.(12)	20
QH.F 20.(25)	20



Design and Production according to Quality Management System ISO 9001.2008 & Environmental Management System ISO 14001.2004