

SH.F

HANGER with SPRING + Regufoam®

Description

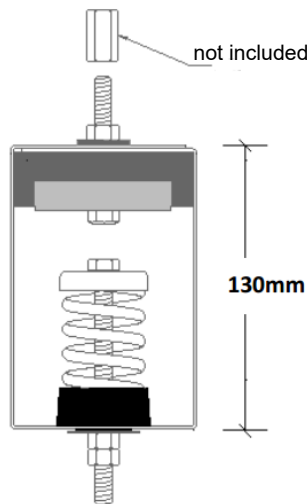
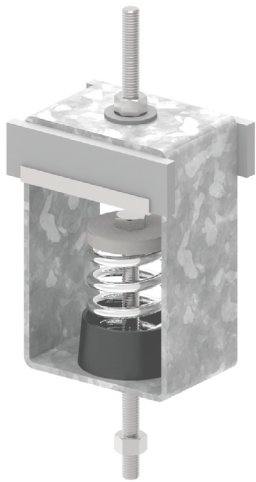
SH.F is a combination of special polyurethane rubber with metal spring for better vibration isolation of low and high frequency which can be heard by the human ear. It consist of a steel frame with a painted finish or galvanised protection.

The upper part of the hanger has a special elastic element made of high quality polyurethane foam, with semi-closed cells, under the trademark Regufoam®. It's steel spring is in accordance to ISO EN 10270.

They can also be pre-loaded by tightening the nut. The hanging bolt does not included.

Applications

It can be used in sound insulation of false ceiling with plasterboard or the vibration isolation of pipes, airducts, loudspeakers etc.



Selection Table

TYPE (Thickness)	MAXIMUM LOAD (daN)
SH.F 25	25
SH.F 50	50
SH.F 100	100
SH.F 150	150

Dynamic Characteristics

Deflection: 25 mm at maximum load

Natural Frequency: 3 Hz at maximum load

Design and Production according to Quality Management System ISO 9001.2008 & Environmental Management System ISO 14001.2004